



PUMPS {POUCHED PRODUCTS} EXPRESS™ STATIONS

Models SS-SE

Date:

Project:

Quantity:

Item Number:



THIN
 THICK
 PARTICULATE
 See category tab for details.

Bid Description

The Server Express™ Serving Station is constructed of a brushed (#4) finish stainless steel base with an acrylic hinged lid over the center section. Center holds (3) 1/6-size pans or (1) 1/6 and (3) 1/9-size pans up to 6" (15.2 cm) deep (not included). Improved hinged lid design has stay-open and self-close feature.

Each end well is furnished with the Server Express™ System—a surgical-quality plastic pump in a black, thermoset polyester vessel. Pump vessel lids are brushed stainless steel.

Capacity for each Express™ System is 1 1/2 gallons (or 6 L). Maximum stroke yields 1 ounce (30 mL). Easy-to-adjust portion control reduces yield in 1/4 ounce (7 mL) increments. Exclusively uses a Cryovac® pouch with 16 mm fitment.

The sneeze guard model is without a hinged lid.

Standard Features

Center lid has stay-open and self-close design

Each pump vessel holds a 1 1/2 gallon (or 6 L) Cryovac® pouch

New Server pump is constructed of surgical-quality plastic parts — quick to breakdown and completely dishwasher safe
Pump is ADA compliant, at 1/2 oz and 1/4 oz portions, requiring less than 5 lbs of pressure to dispense

Maximum stroke yields 1 ounce (30 mL)

Easy-to-adjust portion control in 1/4 ounce (7 mL) increments

Discharge tube fitting — **new** design works with ketchup, mustard and mayonnaise

Server Express™ Accessories

- Duckbill Discharge Fitting 07454
- Replacement Pump 07537
- Single Drip Tray Assembly 07291



Warranty

Server Products equipment is backed by a two-year limited warranty against defects in materials and workmanship. For our complete warranty statement, please see our web site.

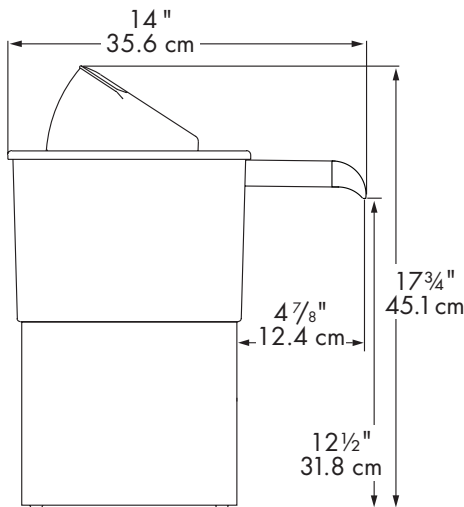
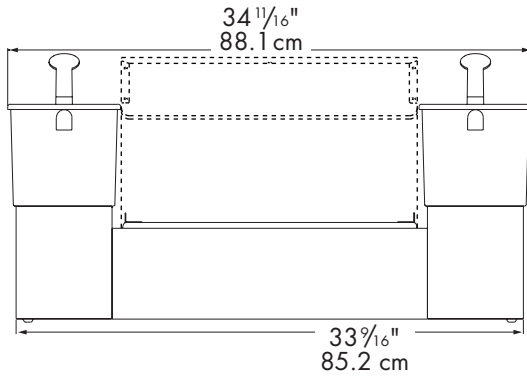
Specifications on reverse side



PUMPS {POUCHED PRODUCTS} EXPRESS™ STATIONS

Models SS-SE

Serving Station-Server Express™



Specifications

Model	SS-SE 67690		
Construction	Brushed finish stainless steel base with an acrylic hinged lid over the center section. Furnished with surgical-quality plastic, pumps in black, thermoset polyester vessels. Vessel lids are brushed stainless steel.		
Capacity	1 1/2 gallon (or 6 L) capacity per pump vessel		
Dimensions	<u>Height</u>	<u>Width</u>	<u>Depth</u>
	in	34 11/16	14
	cm	88.1	35.6
Ship Weight	30 lb (13.6 kg)		
Model	SS-SE 67820		
Construction	Same as above except: A stainless steel and acrylic sneeze guard replaces lid.		
Ship Weight	32 lb (13.6 kg)		

Cryovac® is a registered trademark and a trade name of Cryovac Inc.
FOB Richfield, Wisconsin 53076

CAD Library

Individual CAD images can be downloaded from product pages on our web site. We are also a member of The KCL CADalog with more than 100 other manufacturers. Our complete collection of CAD files can be purchased through Kochman Consultants, Ltd. at kclcad.com.

